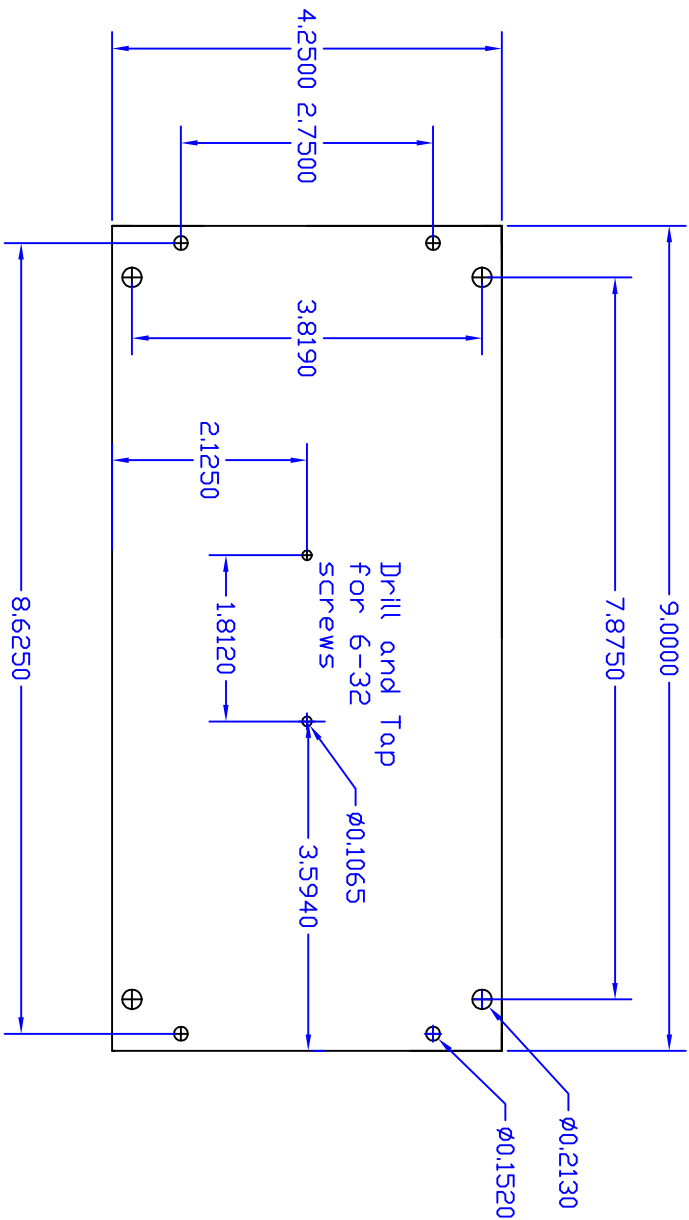


REVISIONS				
ZONE	REV	DESCRIPTION	DATE	APPROVED



HAIDAR TECHNOLOGY		SIZE		FSCM NO.		DWG NO.		REV	
		Mounting Plate 9X4.25							
SCALE						SHEET			